

Thank you for choosing FUNN's UPTURN handlebar for your mountain bike.

Please read these instructions thoroughly before attempting to install this item. Following all fitting instructions in order is required for compliance with FUNN's warranty policy.

TOOLS REQUIRED

- Hex keys

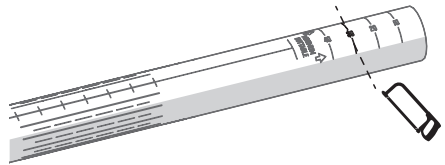
CONTENTS

- UPTURN Handlebar 1 PC

HANDLEBAR CUTTING

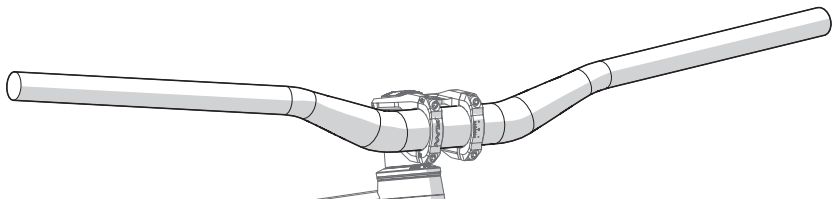
FUNN handlebars are designed to be cut down to fit your style, but when trimming carbon bars, special care is required, so it's best to consult a professional.

For precise adjustments, follow the guide marks on the bar, ensuring you don't cut below the inner-most mark for safety. It's important to cut the same distance on both sides to maintain balance. Remember, after cutting carbon bars, refrain from using bar ends to ensure the integrity of your handlebars.

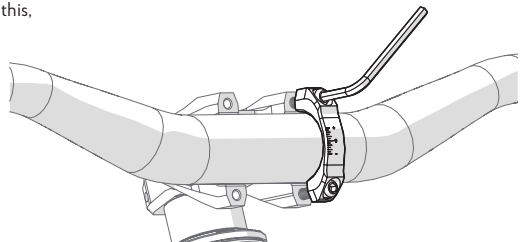


HANDLEBAR INSTALLATION

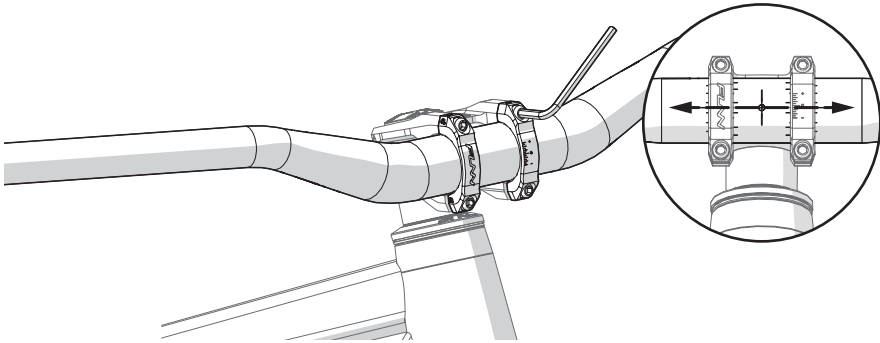
1. Carefully detach any components attached to the old handlebars, such as shifters, brake levers, grips, and bar ends.



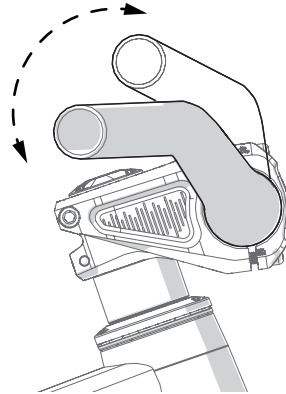
2. Loosen and then remove the stem faceplate. Following this, remove the old handlebars from the stem.



3. Attach the new handlebar onto the stem, but don't fully tighten it yet to allow for alignment adjustments. Ensure it is properly aligned and centered within the stem clamp.



4. Once the new bar is in place, adjust its roll angle, which affects wrist comfort and bike control. Then, tighten the stem's faceplate in a cross pattern for even pressure distribution.



5. Reattach the components you previously removed onto the new handlebar, ensuring they are positioned for optimal comfort and accessibility.

