

Thank you for choosing Python Pedals for your mountain bike.

Proper installation is crucial for optimal performance and compliance with our warranty policy. Follow these step-by-step instructions and illustrations carefully. Our product offers superior grip, durability, and performance. Enjoy your new pedals and happy riding!

## TOOLS REQUIRED

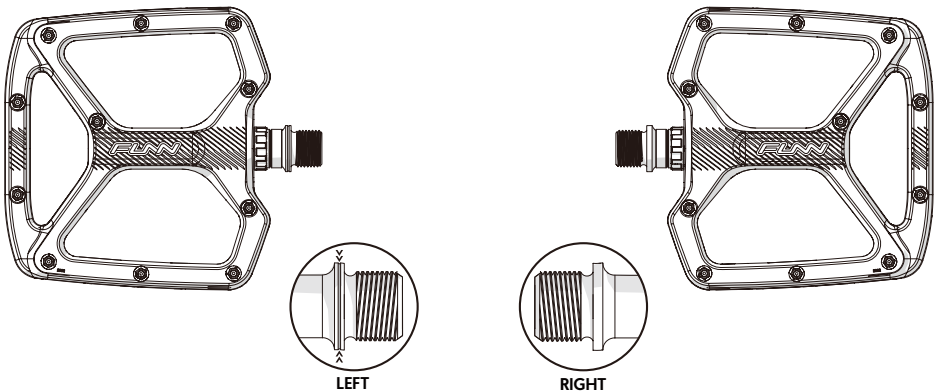
- Hex key 6mm

## CONTENTS

- Pedals ..... 1 SET
- Socket wrench 4mm ..... 1 PC

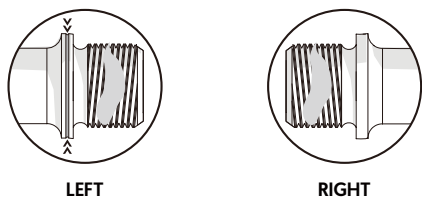
## PEDAL INSTALLATION

1. Identify the left and right-hand side pedals. The left-side pedal has a lathed mark on the axle head, while the right-side pedal does not have any markings. Carefully inspect each pedal to ensure you install them in the correct location.

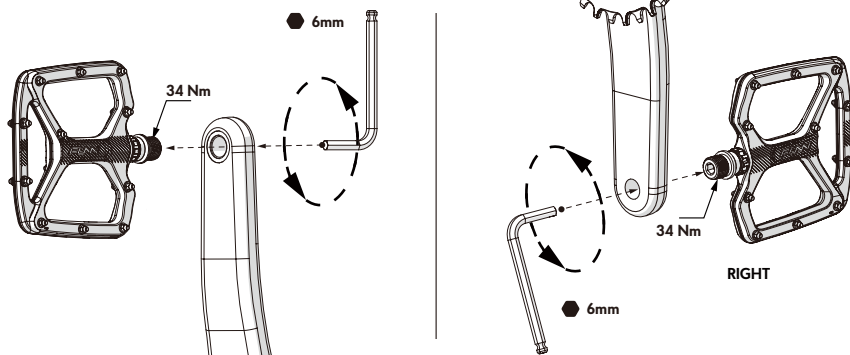


2. Lightly lubricate the axle threads with grease before installing the pedals onto the crankset. This will make it easier to install the pedals and prevent them from seizing or becoming difficult to remove in the future.

3. Thread the axle into the crank hole using your fingers. Follow the illustrated directions for tightening the left and right pedals carefully to ensure that they are properly attached to the crankset. Be careful not to cross-thread the axle, as this could damage the threads on the crank and result in a crash.



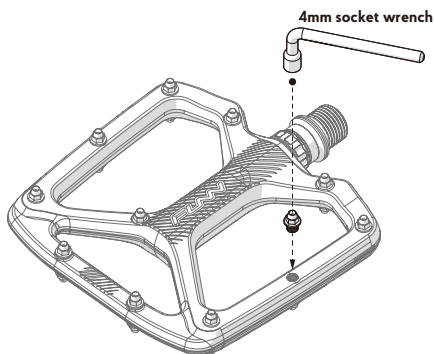
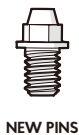
4. Insert a 6mm hex key into the end of the axle and tighten the pedal to 34Nm torque. Avoid applying excessive force to prevent damage to the pedal or the crankset. Double-check that both pedals are tightly installed and properly aligned before riding.



## GRIP PINS

Python pedals are equipped with adjustable pins that allow you to customize your grip according to your riding style and terrain. Experiment with different pin placements until you find the optimal combination that provides the best balance of grip and comfort.

The pins can be easily removed and installed using a 4mm socket wrench. If any pins become damaged or worn out, it is suggested to replace them when they reach the condition shown in the figure below to ensure safe and reliable riding.



## MAINTENANCE

To ensure the longevity and optimal performance of your Python pedals, we recommend the following maintenance tips:

1. Check the condition of your pedals regularly - Rotate the pedals and check for any lateral movement or roughness in their movement.
2. Replace worn or damaged cartridge axle - Python pedals use a cartridge axle system that needs replacement when worn or damaged. If you find the cartridge axle to be worn or damaged, replace it with a new one. A cartridge axle kit is available for purchase separately, and the instructions for axle replacement can be found on our website.
3. Replace pedals if there is a fracture in the pedal body - If you notice any cracks or fractures in the pedal body, replace the pedals immediately to prevent any potential accidents.

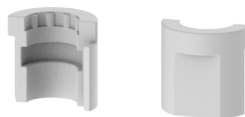
## Welcome to the Python Pedals Cartridge Axle Replacement Guide

Before beginning the maintenance on Python pedals, ensure a seamless process by utilizing high-quality tools to avoid damaging the screw sockets. It's advisable to service your pedals one side at a time to avoid mixing up parts. Additionally, be mindful of thread directions, as indicated by diagrams on both sides of the pedal, and pay special attention when handling these specific parts.

### NEW AXLE KIT

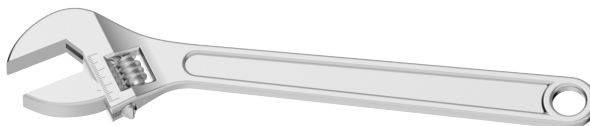


Cartridge axles



Axle fixtures

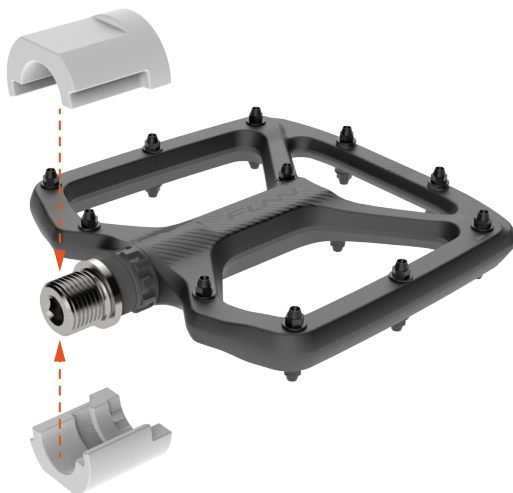
### TOOLS REQUIRED



Adjustable open-end wrench

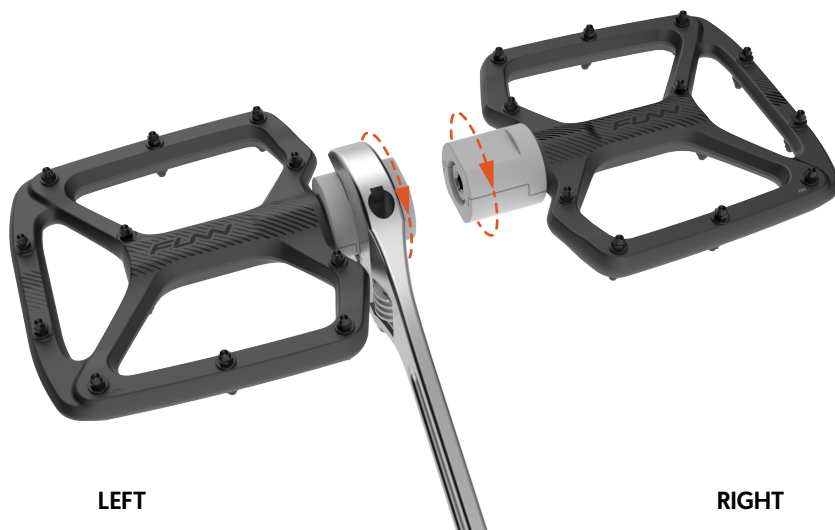
### STEP 1:

Secure the axle fixtures onto the axle head. Ensure the flat section of the fixture is facing the threaded side and that the fixtures are properly aligned and mated.



### STEP 2:

Use a 24mm or adjustable open-end wrench to remove the axles while the fixtures are properly attached. Turn the pedal fixtures according to the illustrated directions to remove the cartridge axles.



LEFT

RIGHT

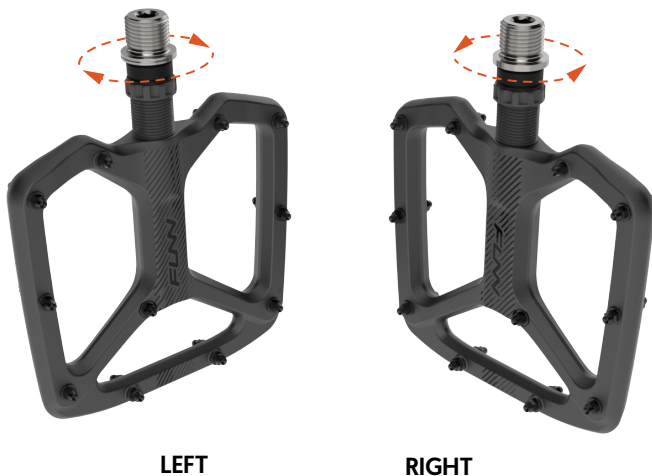
**STEP 3:**

Identify the left-side axle by the marking on the plastic shell and the axle head. Then apply a thin layer of grease on the bearings.



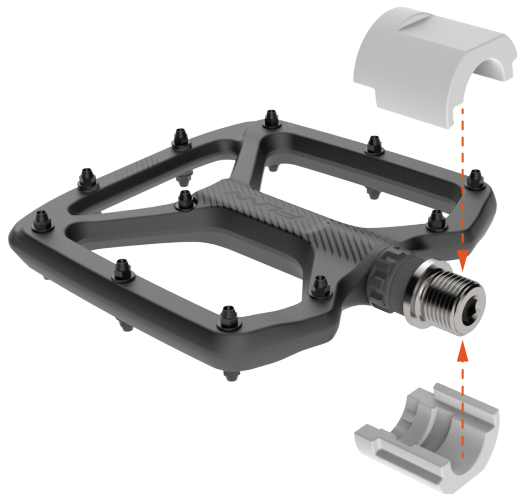
**STEP 4:**

Hand-thread the axles into the corresponding pedal bodies for correct thread alignment, and note that the left side axle tightens clockwise, while the right pedal body tightens counterclockwise.



**STEP 5:**

Once threaded, reattach the fixtures to the axle head.



**STEP 6:**

Tighten the axle head to 2Nm. Be cautious to avoid using excessive force, as this could deform the axle shell. After installation, check that the axle rotates smoothly and is free from any side-to-side movement.



**LEFT**

**RIGHT**