

Thank you for purchasing this BLACK MAGIC PEDALS.

Please read these instructions thoroughly before attempting to install this item.
Proper installation is required for compliance with FUNN's warranty policy.

TOOLS REQUIRED

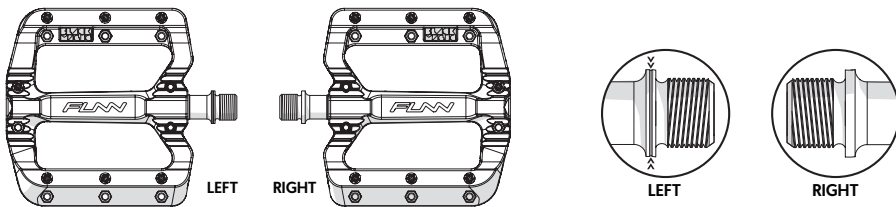
- Hex key 6mm
- Socket wrench 4mm

CONTENTS

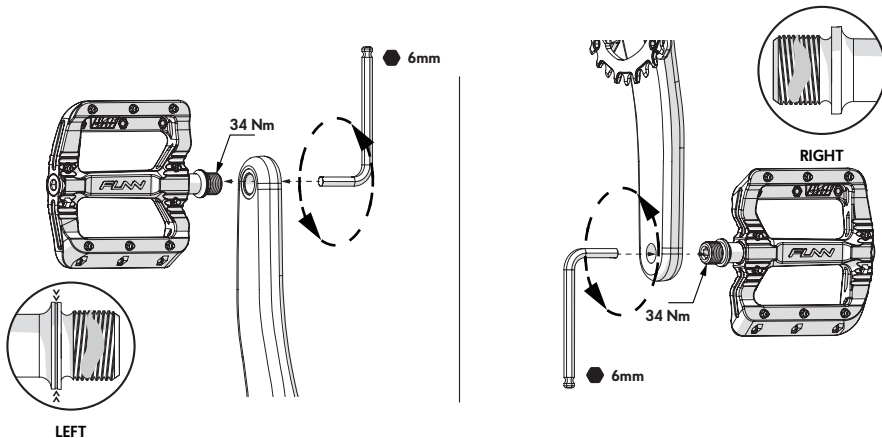
- Pedals 1 SET
- Socket wrench 4mm 1 PC

PEDAL INSTALLATION

1. Begin by identifying the left and right pedals. The left side pedal has a single indented line surrounding the spindle.



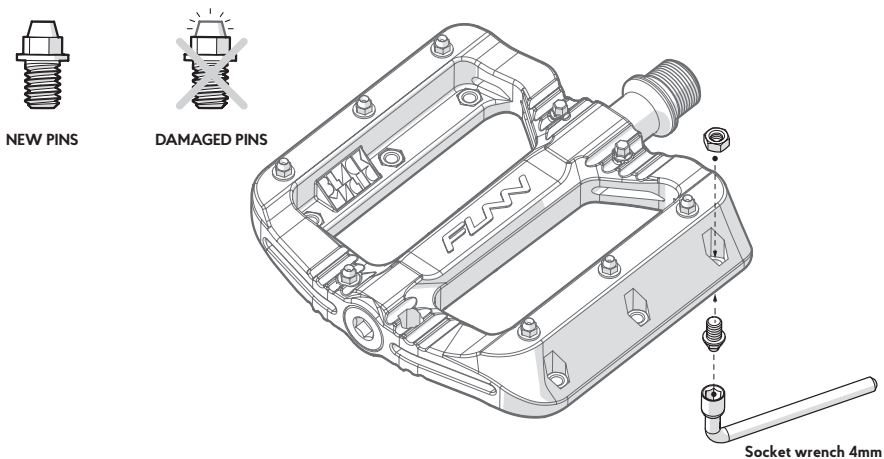
2. Lightly lubricated the axle thread with grease before installing onto the crankset.
3. Thread the axle into the crank hole with your fingers. Please follow the illustrated directions for tightening the left and right pedals.
4. Insert a 6mm hax key to further tighten the screw to 34Nm (300 lb-in) torque and avoid excessive force.



GRIP PINS

You can remove the pins on the pedals to fine-tune the grip. Damaged or worn grip pins can be replaced using a 4mm socket wrench.

It is suggested to replace damaged pins when they are worn to the condition shown in the figure below. To ensure safe riding,



MAINTENANCE

1. Pedals should be serviced if: rotating pedal emits noise, rotation by hand feels rough, there is play in the bearings.
2. Bearings should be cleaned and regreased at least once every 12 months, or at least once every 6 months if riding predominantly in wet conditions. Damaged bearings should be replaced.
3. Replace pedals with fractures in body.