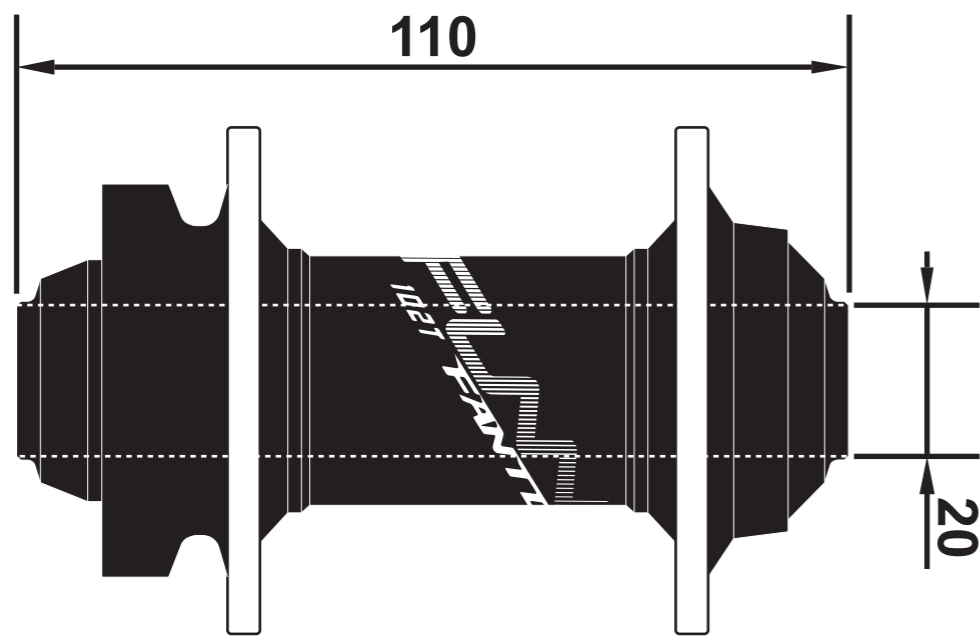


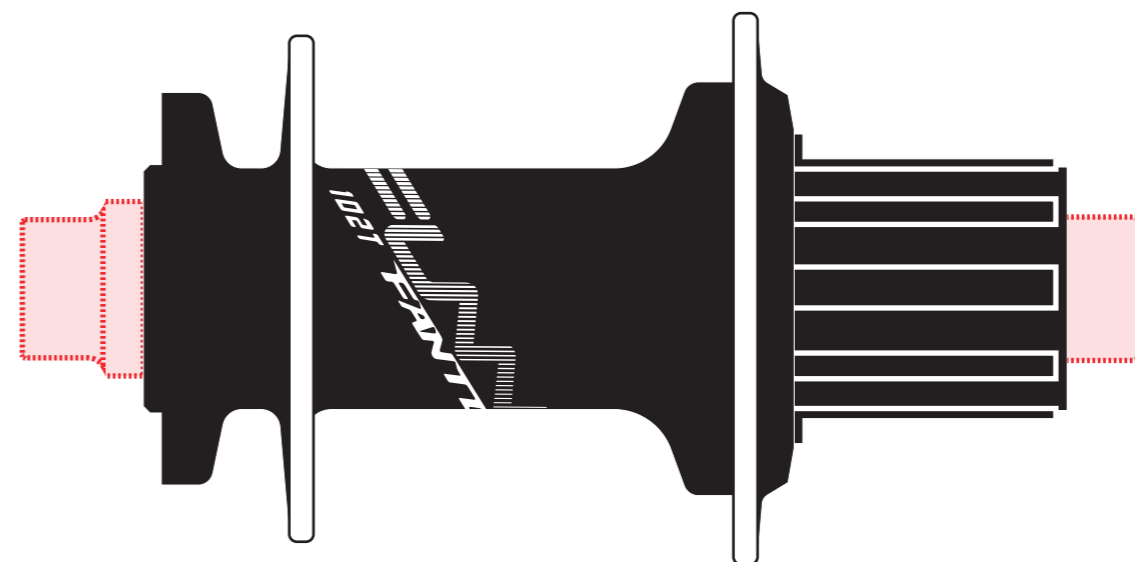


## DH HUB CONVERTER

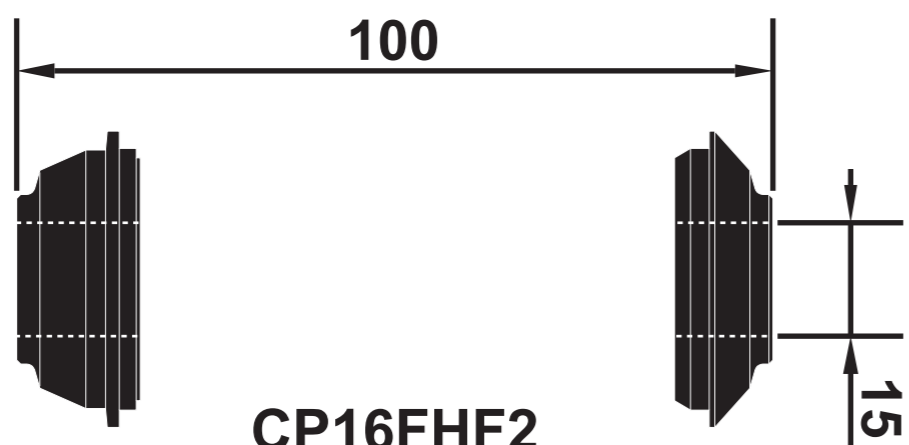


Default Axle Standard

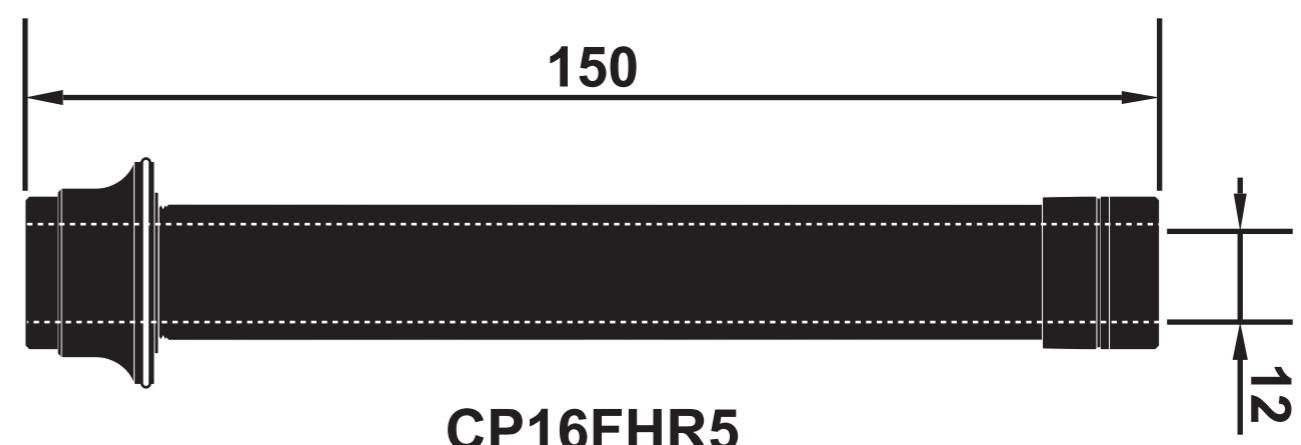
### FRONT AXLE



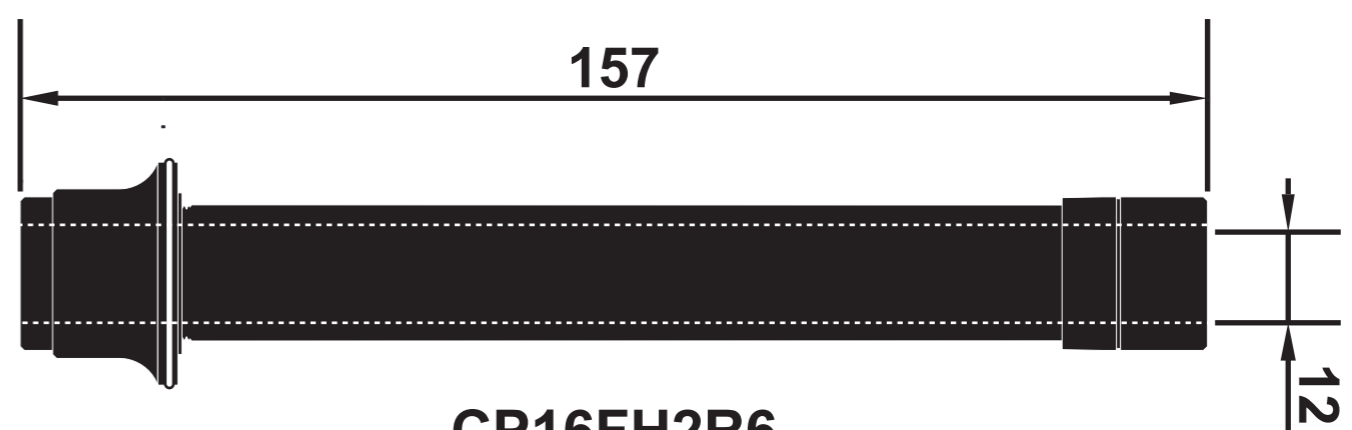
### REAR AXLE



CP16FHF2  
(15x100mm)



CP16FHR5  
(12x150mm)



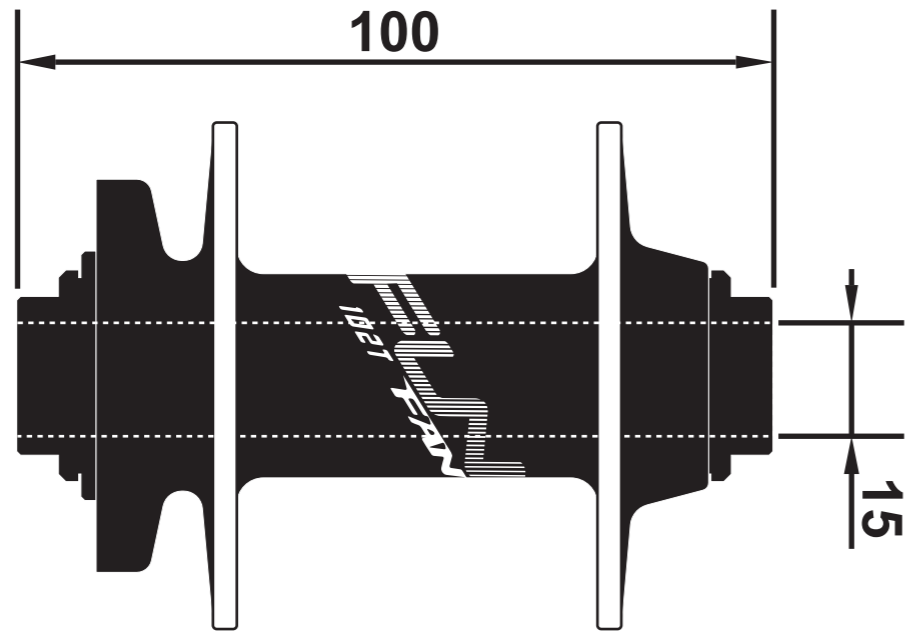
CP16FH2R6  
(12x157mm)

## BOOST

Boost hubs only comes in  
15x110mm for front and  
12x148mm for rear hubs.

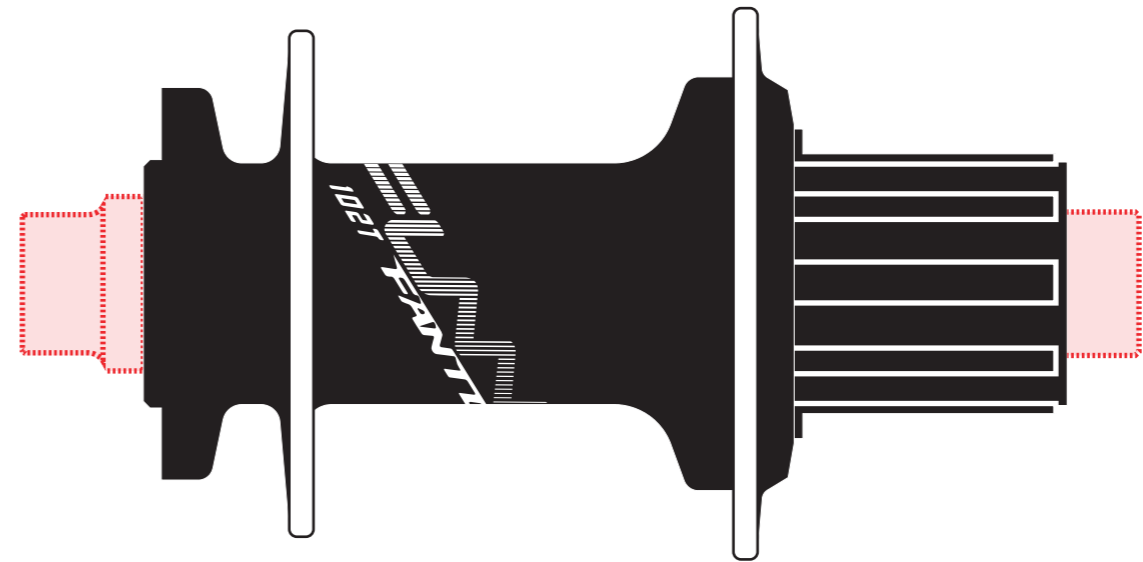


**AM**  
**HUB CONVERTER**

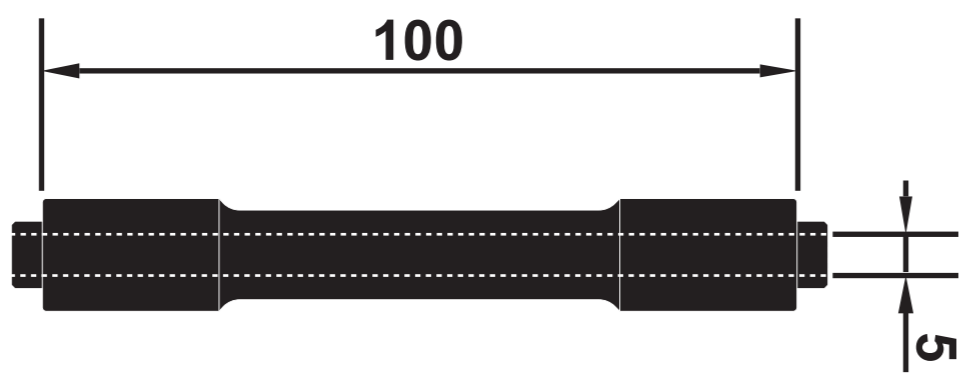


Default Axle Standard

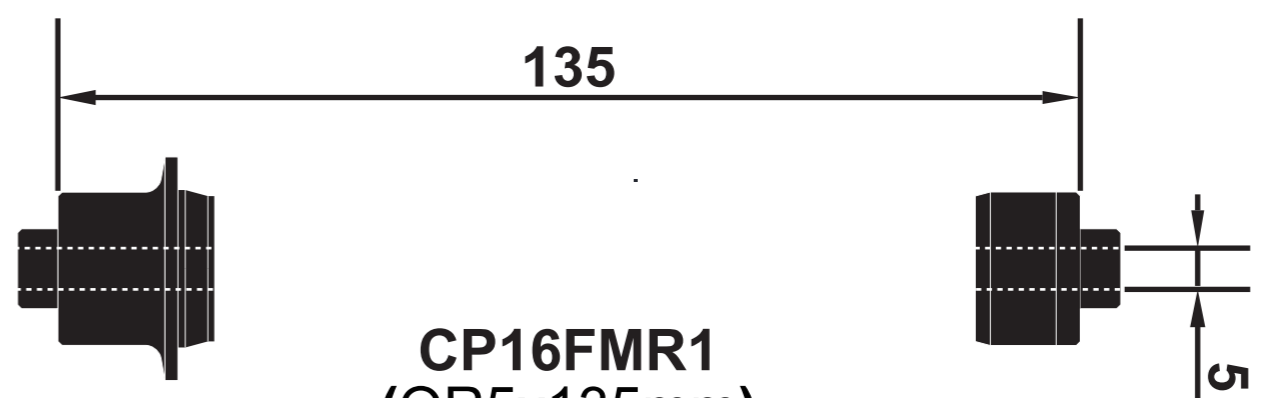
**FRONT AXLE**



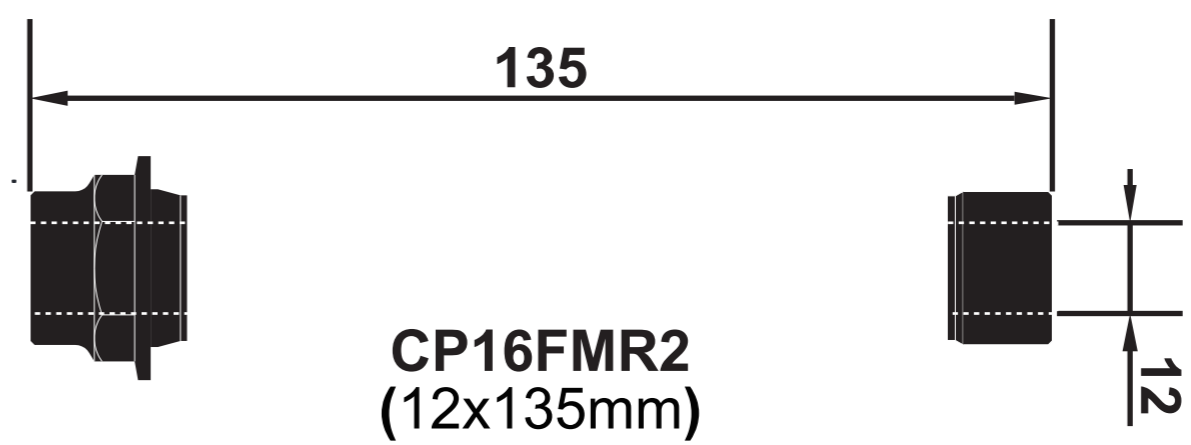
**REAR AXLE**



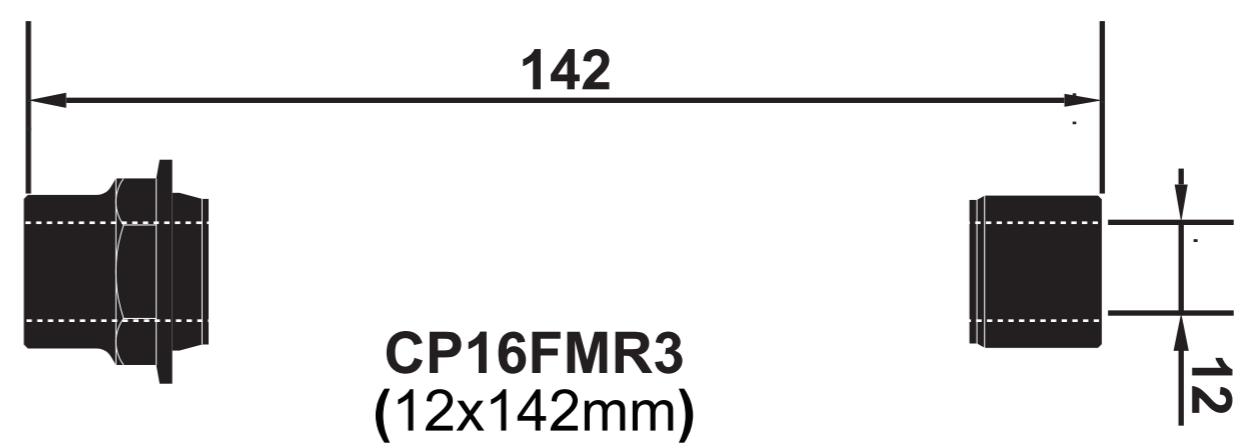
**CP16FMF1**  
(QR5x100mm)



**CP16FMR1**  
(QR5x135mm)



**CP16FMR2**  
(12x135mm)



**CP16FMR3**  
(12x142mm)