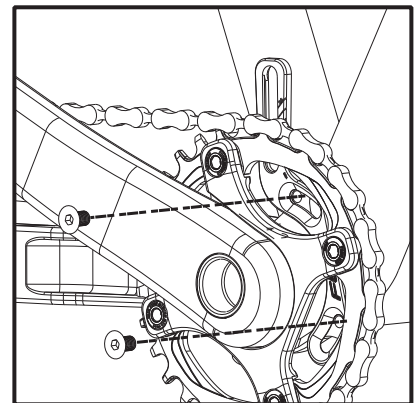


ZIPPA LITE ISCG05

The Zippa Lite ISCG top guide can be installed without removing your crankset making installation quite simple.

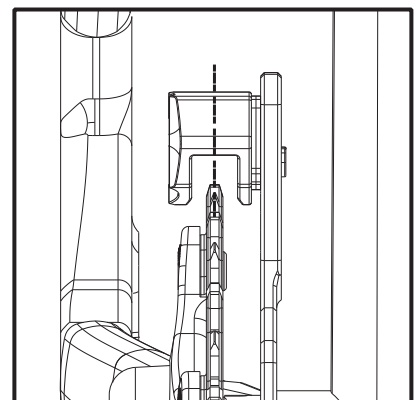
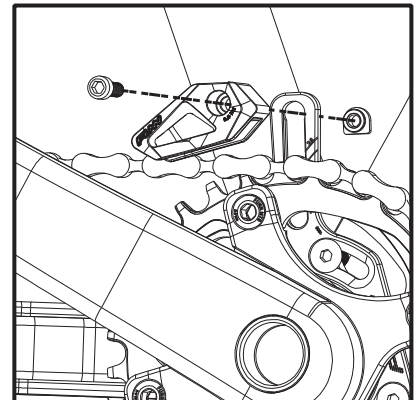
STEP 1 :

With the top guide removed from the mounting plate line the mounting plate up with the ISCG tabs on your bike and install the chain guide bolts.



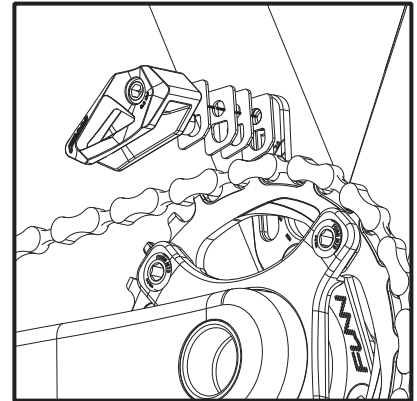
STEP 2 :

Install the top guide by screwing it into the mounting plate. Check to see if the top guide and chain are aligned properly. If the alignment is good skip to step 4.



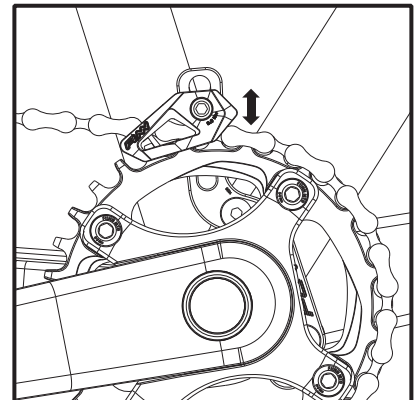
STEP 3 :

To achieve proper chain alignment, use the supplied spacers between the top guide and the mounting plate and tighten the fixing screw. Use the longer screw when more than one spacer is used.



STEP 4 :

Adjust the height of the top guide so that it is as low as possible without making contact with the chain, chain ring or chain ring bolts.



STEP 5 :

To adjust the angle of the top guide loosen the ISCG bolts. Change the angle of the top guide to ensure that your chain will not come off when the trail gets rough. When you have the correct angle tighten the ISCG bolts.

