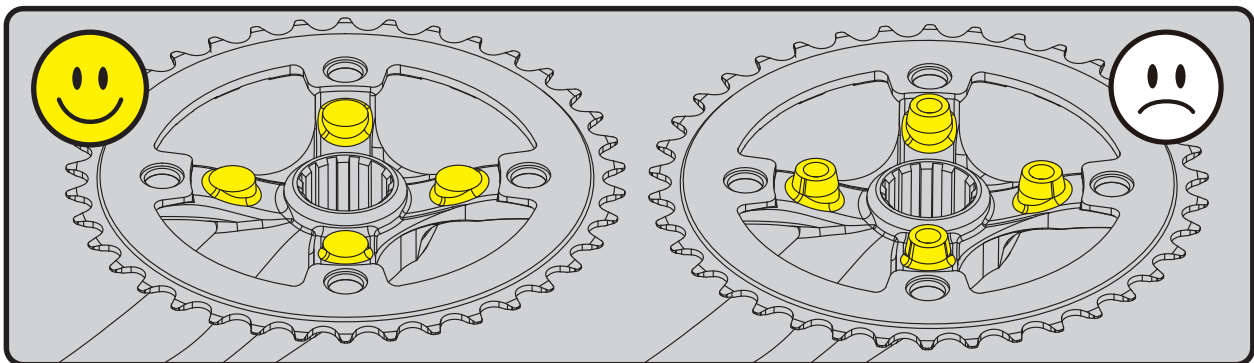
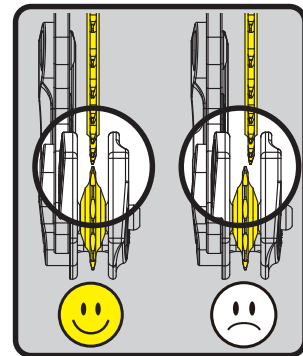
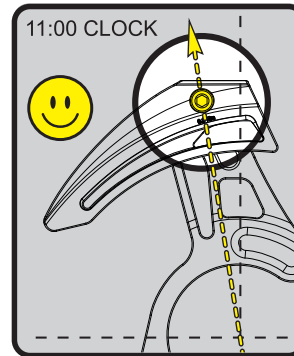
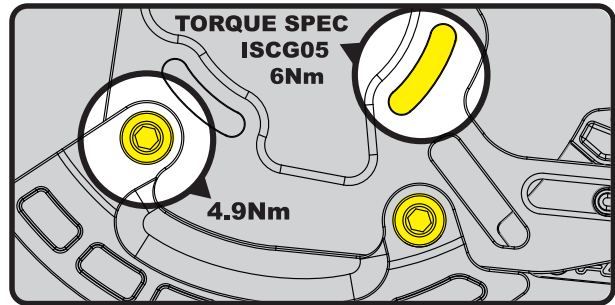
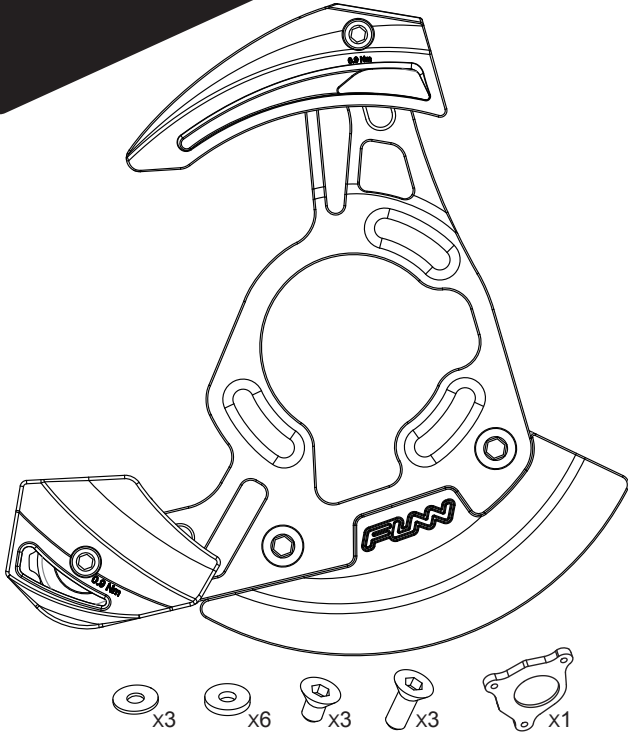


FUNN

ZIPPA

ASSEMBLY INSTRUCTIONS



*ALWAYS USE GENUINE FUNN PARTS. USE OF AFTERMARKET REPLACEMENT PARTS AND UPGRADES VOIDS THE WARRANTY AND COULD CAUSE STRUCTURAL FAILURE.