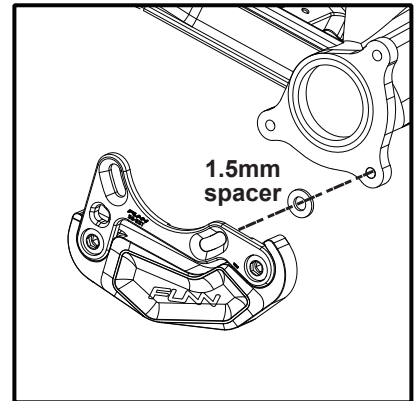


## ZIPPA TACO BASH

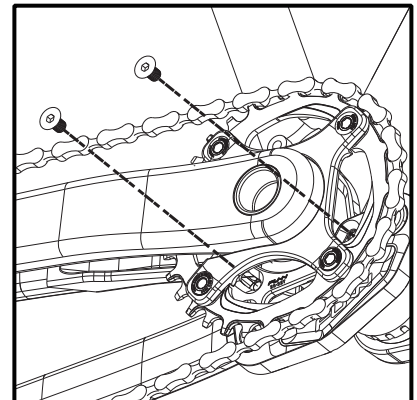
### STEP 1 :

Please note that a 1.5mm spacer is needed at the front screw between the ISCG tab and the mounting plate.



### STEP 2 :

Place the taco mounting plate behind your crank and chain ring and install the fixing bolts.



## TACO BASH + ISCG05 TOP GUIDE

Install the mounting hardware as seen in the picture. A 2mm spacer will be needed to the rear of the taco bash and the supplied tapered spacer will be needed towards the front.

