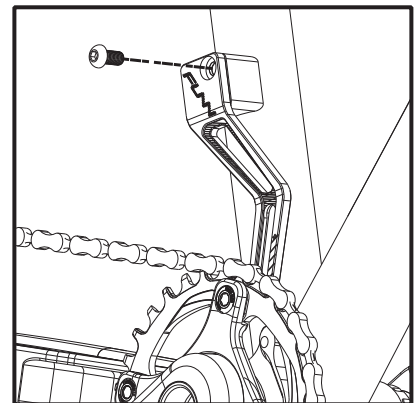


ZIPPA LITE D-TYPE

The Zippa Lite D-Type top guide can be installed without removing your crankset making installation quite simple.

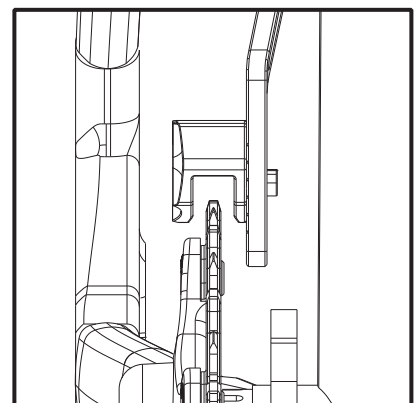
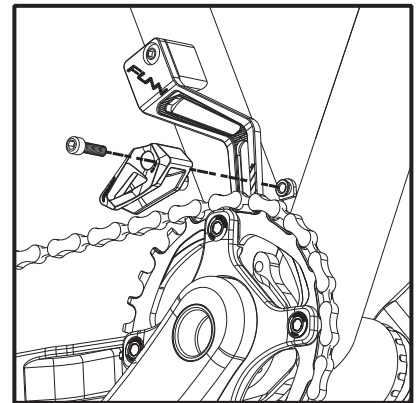
STEP 1 :

With the top guide removed from the mounting plate screw the mounting plate into the front derailleur mount.



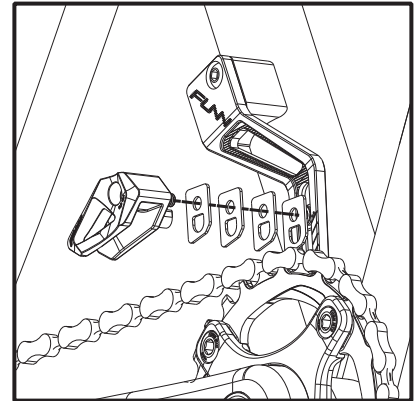
STEP 2 :

Install the top guide by screwing it into the mounting plate. Check to see if the top guide and chain are aligned properly. If the alignment is good skip to step 4.



STEP 3 :

To achieve proper chain alignment, use the supplied spacers between the top guide and the mounting plate and tighten the fixing screw. Use the longer screw when more than one spacer is used.



STEP 4 :

Adjust the height of the top guide so that it is as low as possible without making contact with the chain, chain ring or chain ring bolts.

